

MC-7200 Series

Optimized marine platform with diverse connectivity and expanded storage



- > High performance platform with 3rd gen. Intel® Core™ i7 3555LE processor
- > Rugged, fanless design optimized for harsh environments
- > Scalable, modularized interfaces for marine solutions
- > Four Ethernet LAN ports + SNMP delivers strong network availability and manageability
- > Blistering graphics performance across as many as 3 independent displays



Overview

The MC-7200 marine computer is powered by the latest 3rd generation Intel® Core™ i7 3555LE processor to fuel high performance graphics alongside a full range of I/O connectivity that includes eight NMEA 0183 terminals, four serial ports, four gigabit Ethernet ports, six USB 2.0 ports, and two SuperSpeed USB 3.0 ports. The MC-7200 Series is designed to deliver unrivalled PC performance for a new generation of automated marine solutions.

Designed for reliability, durability, and intensive computational and graphics performance, the marine-grade MC-7200 computer features a rugged shell and vibration tolerance up to 1G. This computer's

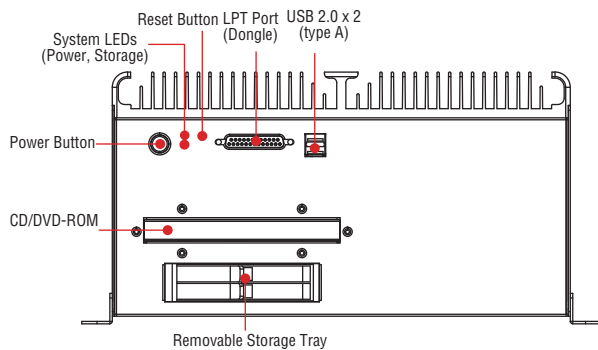
compact size and low power consumption return a low heat profile that simplifies bridge and cabinet installations. To facilitate customization and expansion, MC-7200 series computers come with a single PCIe (x16) slot and two universal PCI slots, allowing users to easily install a wide variety of peripherals like radar, graphics, or PROFIBUS cards.

The MC-7200 series is optimized for use with the Windows XP Embedded, XP Professional, or Windows 7 operating systems, allowing users to choose the development environment most suitable for the application's needs.

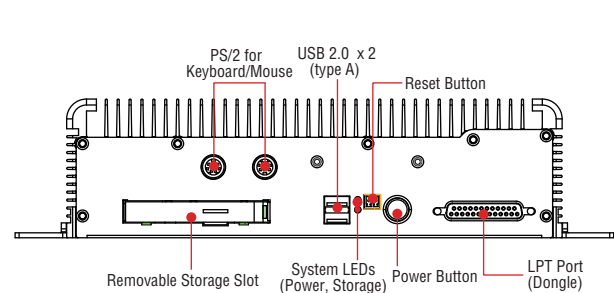
Appearance

Front View

MC-7270-MP

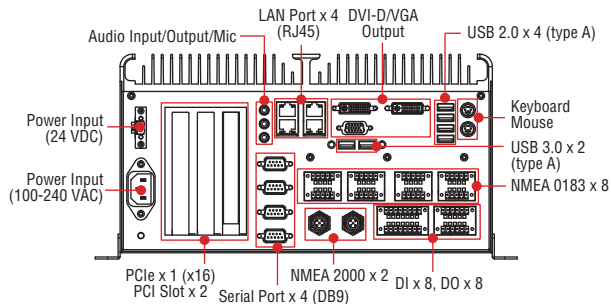


MC-7270-DC-CP

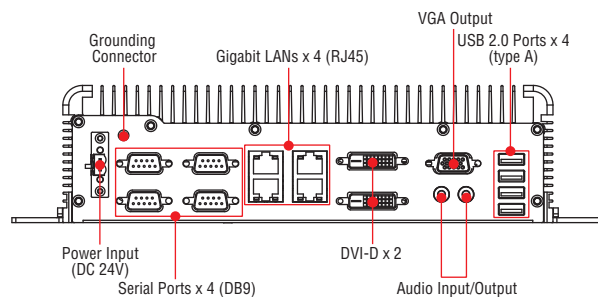


Rear View

MC-7270-MP

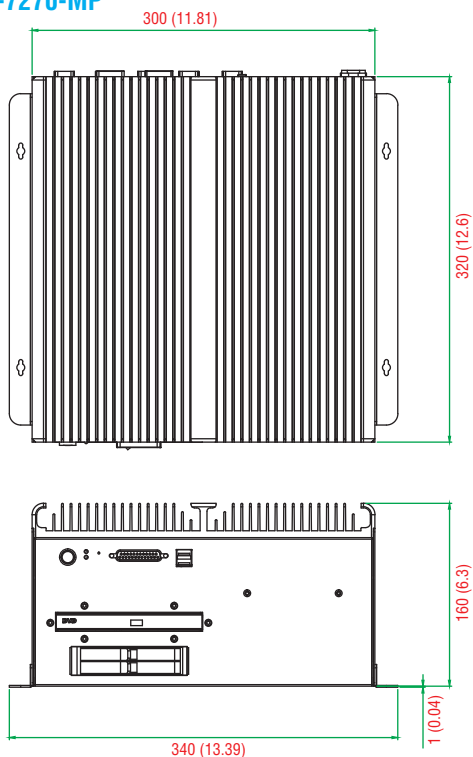


MC-7270-DC-CP

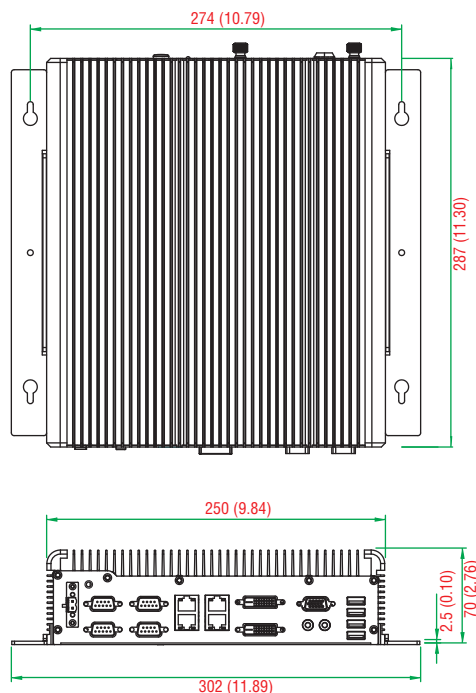


Dimensions

MC-7270-MP



MC-7270-DC-CP



Unit: mm (inch)

Specifications

Computer

- CPU:** Intel® Core™ i7-3555LE (BGA CPU package), quad core eight threaded 64 bit 2.1 GHz processor
- OS:** Windows 7, Windows XP SP3, Windows XP Embedded (must be installed by the user)
- System Chipset:** Intel® QM77 Express Chipset
- System Memory:** 16 GB capacity, 4 GB pre-installed: 1 slots of 4 GB DDR3 204 pin SO-DIMM SDRAM
- Storage:** 2 SATA 6 Gb/s ports for SSD/HDD
2 SATA 3 Gb/s ports for SSD/HDD (MC-7270-MP only)
- USB:**
MP model:
 - 6 USB 2.0 ports (type A)
 - 2 USB 3.0 ports (type A)
 DC-CP model: 6 USB 2.0 ports (type A)

Other Peripherals

- Audio:** line in, line out, microphone; 3.5 mm mini-jack
- KB/MS:** 2 PS/2 interfaces supporting standard PS/2 keyboard and mouse
- PCI Slots:** 2 (MP model)
- LPT Port:** 1 (MP model)
- PCIe x16 Slots:** 1 (MP model)
- Display**
- Display Interface:**
 - 1 VGA output: 15-pin D-Sub connector (female), max. resolution 2048 x 1536, 32-bit color at 75 Hz
 - 2 DVI-D outputs: 29-pin DVI-D connectors (female), max. resolution 1920 x 1200, 32-bit color at 60 Hz
- Graphics Controller:** Onboard Intel® HD 4000 graphics

Ethernet Interface

LAN: 4 auto-sensing 10/100/1000 Mbps ports (RJ45)

Magnetic Isolation Protection: 1.5 kV built in

Serial Interface

Serial Standards:

- 2 software-selectable RS-232/422/485 ports (DB9 male)
- 2 RS-232 ports (DB9 male)
- 8 NMEA 0183 v2 terminals (3.81 mm Euroblock connector) (NMEA 2000 available on request)

Serial Communication Parameters

Data Bits: 5, 6, 7, 8

Stop Bits: 1, 1.5, 2

Parity: None, Even, Odd, Space, Mark

Flow Control: RTS/CTS, XON/XOFF, ADDC® (automatic data direction control) for RS-485

Baudrate: 50 bps to 230.4 Kbps

Serial Signals

RS-232: TxD, RxD, DTR, DSR, RTS, CTS, DCD, GND

RS-422: TxD+, TxD-, RxD+, RxD-, GND

RS-485-4w: TxD+, TxD-, RxD+, RxD-, GND

RS-485-2w: Data+, Data-, GND

Digital Input (MC-7270-MP only)

Input Channels: 8 dry channels, with 4 grounds

Digital Input Levels for Dry Contacts:

- Logic level 0: Close to GND
- Logic level 1: Open

Connector Type: 2 screw-fastened 6-pin 3.81 mm Euroblock terminals

Isolation: ESD protection to DNV specifications

Relay Output (MC-7270-MP only)

Type: Form A (N.O.) power relay

Output Channels: 8 output channels

Contact Rating: 2A, 30Vdc /0.5A, 125Vac under resistor load

Initial Insulation Resistance: 1000M ohm(min.) @500VDC

Mechanical Endurance: 100,000 operations @2A, 30VDC resistive load

Electrical Endurance: 100,000,000 operations

Contact Resistance: Max. 50m ohm @6V, 0.1A

Connector Type: 2 screw-fastened 8-pin 3.81 mm Euroblock terminals

Isolation: Relay isolation; ESD protection to DNV specifications

LEDs

System: Storage, Power

LAN: 100M/Link x 4, 1000M/Link x 4 (on connector)

Physical Characteristics

Housing: Aluminum, sheet metal

Weight:

- DC-CP Model: 3.75 kg
- MP Model: 8 kg

Dimensions:

• DC-CP Model: 150 x 160 x 80 mm (5.91 x 6.30 x 3.15 in)

• MP Model: 287 x 250 x 70 mm (11.30 x 9.84 x 2.76 in)

Mounting: Wall

Environmental Limits

Operating Temperature: -40 to 70°C (-40 to 131°F)

Storage Temperature: -50 to 80°C (-40 to 176°F)

Ambient Relative Humidity: 5 to 95% (non-condensing)

Anti-Vibration:

- 0.7 g @ DNV 2.4 (Class A), sine wave, 2-100 Hz, 1 Oct./min., 1.5 hr per axis
- 1 G^{rms} @ DNV 2.4, random wave, 3-100 Hz, 2.5 hr per axis
- 2.1 g @ DNV 2.4 (Class C), sine wave, 2-50 Hz, 1 Oct./min., 1.5 hr per axis

Power Requirements

Input Voltage:

- DC: 24 VDC (with tolerance from 18 to 30 VDC, 2-pin terminal block)
- AC: 100 to 240 VAC (MC-7270-MP only)

Power Consumption: Less than 100 W, 2.5 A @ 24 VDC

Storage

Storage Support:

- 2 SATA 6 Gb/s ports for SSD/HDD
- 2 SATA 3 Gb/s ports for SSD/HDD (MC-7270-MP only)

NMEA Interface (MC-7270-MP only)

Interfaces:

8 NMEA 0183 v2 terminals (NMEA 2000 available on request)

Base Serial Standard:

- NMEA 0183: RS-422
- NMEA 2000: CAN bus (Available on request)

Optical Isolation Protection: 3 KV

Voltage Differential: -15 V to +15 V

Baudrate: 4800 bps

Data Bits: 8

Stop Bits: 1, 1.5, 2

Parity: None

Handshake: None

Standards and Certifications

Safety: UL 60950-1, DNV 2.4 (Pending), IEC 60945 (4th) (Pending), IACS-E10 (Pending), CCC (GB4943, GB9254, GB17625.1) (Pending)

EMC: EN 55022 Class B, EN 55024-4-2, EN 55024-4-3, EN 55024-4-4, FCC Part 15 Subpart B Class B

Marine: IEC 60945 4th. (Pending), IACS-E10 (Pending)

Green Product: RoHS, cRoHS, WEEE

Reliability

MTBF (mean time between failures):

- Telcordia (Bellcore) Standard TR/SR: 269,934 hrs
- MIL-HDBK-217 FN2: 114,305 hrs

Warranty

Warranty Period: 3 years

Details: See www.moxa.com/warranty

Ordering Information

Available Models

MC-7270-MP: ECDIS computer with 3rd gen. Intel® Core™ i7 CPU processor, 4 serial ports, 8 NMEA 0183 terminals, 4 Gigabit Ethernet ports, 8 DIs, 8 DOs, 6 USB 2.0 ports, 2 USB 3.0 ports, 2 PCI slots, 1 PCIe x16 slot, VGA/DVI, TPM, and AC/DC power inputs

MC-7270-DC-CP: ECDIS computer with 3rd gen. Intel® Core™ i7 CPU processor, 4 serial ports, 4 Gigabit Ethernet ports, 6 USB 2.0 ports, VGA/DVI, TPM, and DC power input

Optional Accessories (can be purchased separately, for AC power input)

PWC-C13US-3B-183: Power cord with 3-pin connector, USA plug

PWC-C13EU-3B-183: Power cord with 3-pin connector, Euro plug

PWC-C13UK-3B-183: Power cord with 3-pin connector, British plug

PWC-C13AU-3B-183: Power cord with 3-pin connector, Australia plug

PWC-C13CN-3B-183: Power cord with 3-pin connector, China plug

Package Checklist

- MC-7200 computer
- 2 removable keys
- 8 screws for internal and removable drive trays
- Wall mounting kit
- 6 screws for wall mounting
- 1 terminal block for power input
- 4 terminal blocks for DI/DO channels (MP model)
- 8 terminal blocks for NMEA 0183 (MP model)
- Documentation and driver CD
- Quick installation guide (printed)
- Warranty card